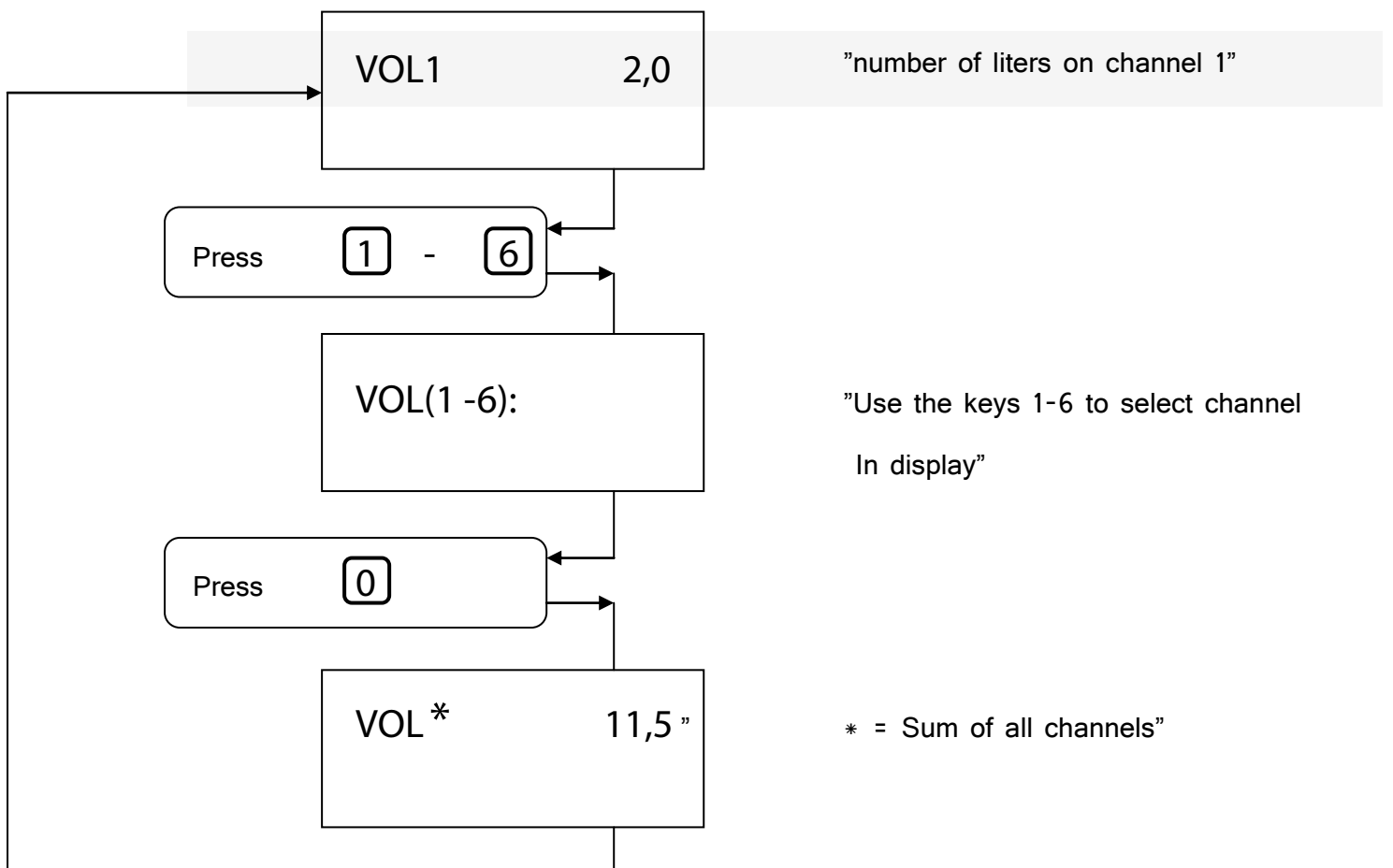
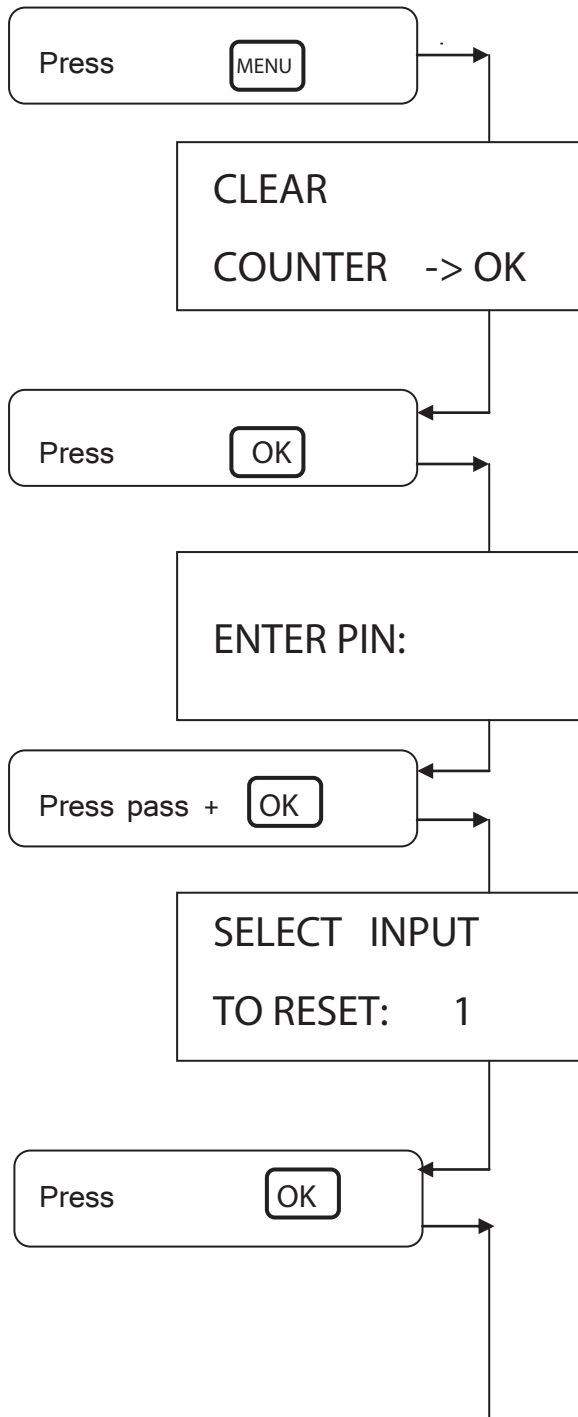


User Display:



User MENU:

Reset counter



"Ready to Reset"

"Press OK to go on"

"Press MENU to go back"

"Key User Pass (Factory =1 2 3 4)"

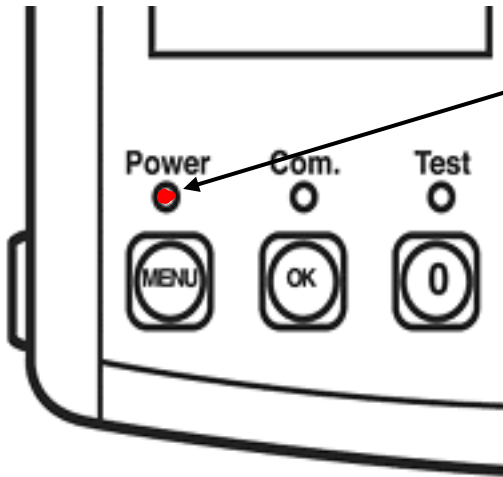
Use key "0"- "6" to select the channel to Reset.

(key "0" = will Reset all the channel)

User menu:



Show / Reset the Power alarm.



If the power light flashes:

The power supply has been turned off

How to read and Reset Power alarm:

After reading / Reset the power alarm, the power lamp will light constantly, until power switch off again.

